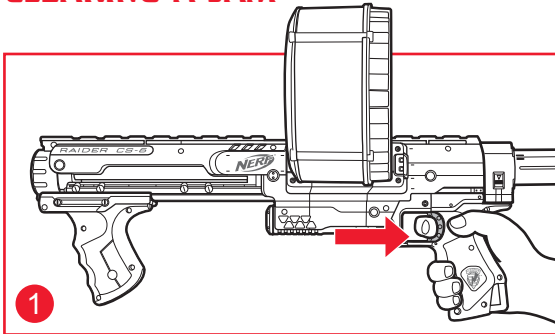
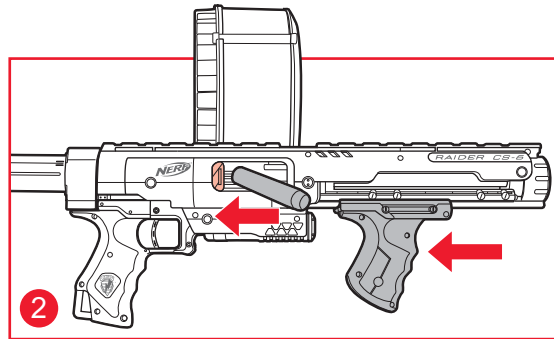


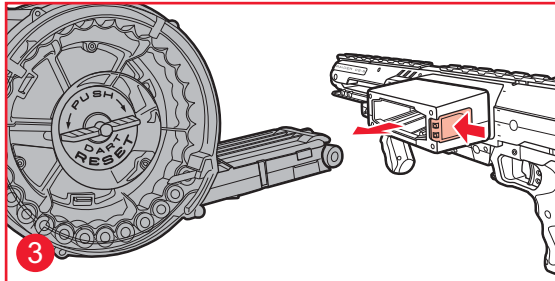
## CLEARING A JAM



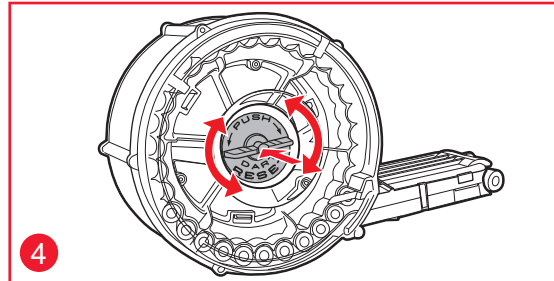
1 If the mechanism seems stuck, try pulling the trigger first.



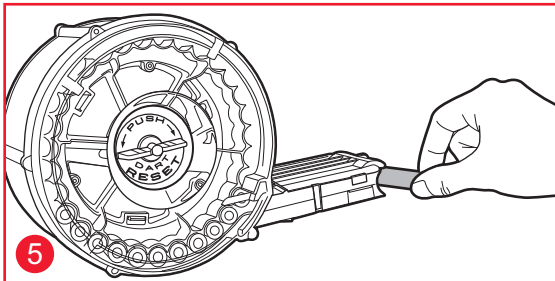
2 Pull Slam Fire Handle back and open Jam Clearing Door to remove jammed dart.



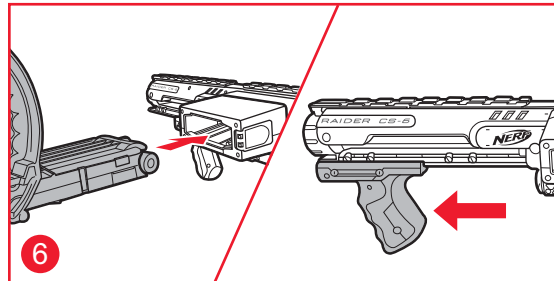
3 If jammed dart is in Drum Magazine, press Clip Release Button to unload Drum Magazine.



4 Press Jam Release Knob in and turn left and right to reposition dart.



5 If that doesn't work, remove darts from Drum Magazine opening until you've removed the jammed dart.



6 Once jam is cleared, replace Drum Magazine and slide Slam Fire Handle forward. This should load another dart.

# NERF



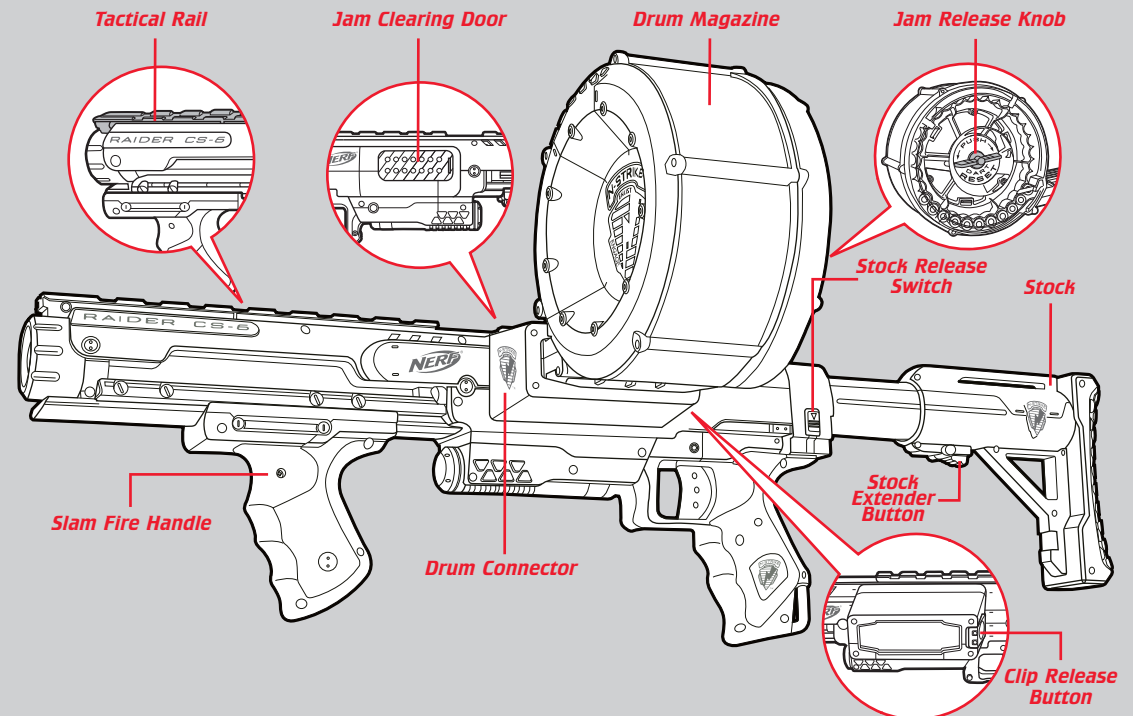
AGES 6+

**N-STRIKE®**  
**RAIDER RAPID FIRE CS-35™**

N-STRIKE Tactical Rail Accessories and the shoulder stock from the N-STRIKE RECON CS-6™ are compatible with this blaster! You can also use the Drum Magazine with any blaster that uses Quick Reload Clips.

**⚠ CAUTION:** Do not aim at eyes or face.  
**TO AVOID INJURY:** Use only darts designed for this product.  
Do not modify darts or dart blaster.

### N-STRIKE RAIDER RAPID FIRE CS-35™ BLASTER



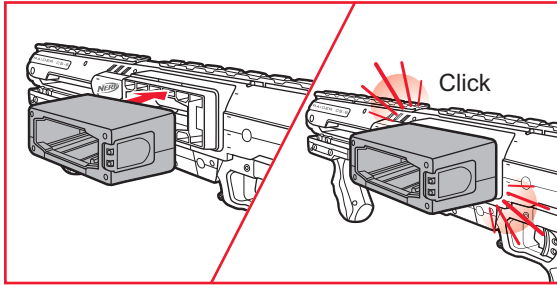
Not suitable for children under 3 years because of small parts - choking hazard.

**NERF.COM**  
FOR NEW PRODUCTS AND OFFERS  
Questions? Call: 1-800-327-8264

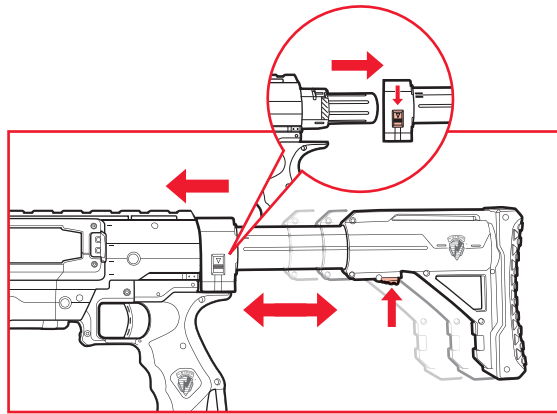


Product and colors may vary.  
© 2009 Hasbro. All Rights Reserved.  
TM & © denote U.S. Trademarks.  
U.S. Pat. Nos. 5529050, 7287526 and Patent Pending.  
92356/923550900 Asst. P/N 6969760000

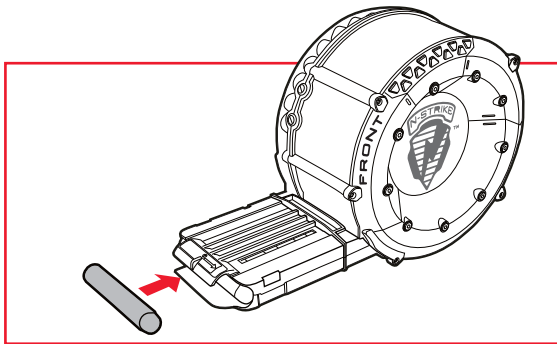
**TO ASSEMBLE:**



1. Attach Drum Connector as shown. Be sure Clip Release Button faces rear of blaster.



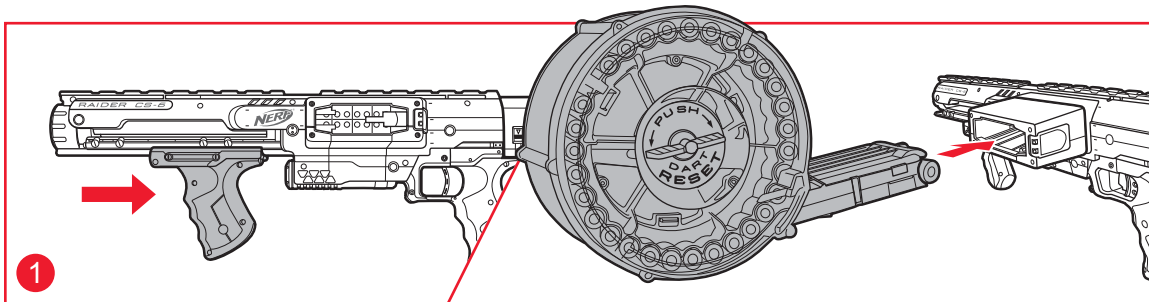
2. Attach stock. Press Stock Extender Button to adjust length of stock for your arm length. To remove stock, slide Stock Release Switch down.



3. Matching direction of dart image on Drum, load 1 dart at a time. Drum Magazine can hold up to 35 CLIP-SYSTEM DARTS.

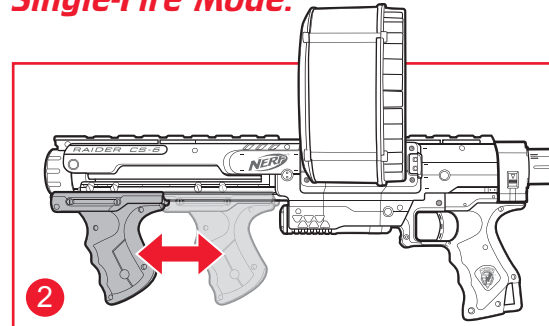
**NOTE:** Use only CLIP-SYSTEM DARTS with this blaster.

**Using N-STRIKE RAIDER RAPID FIRE CS-35:**

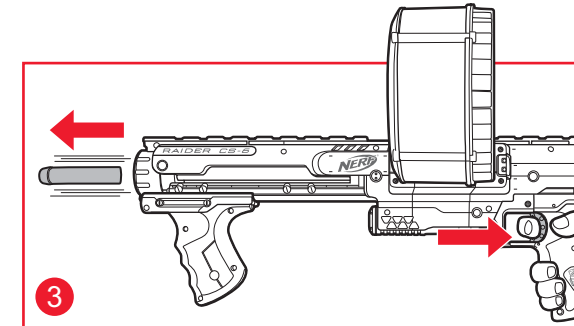


Slam Fire Handle **MUST** be pulled all the way back for the Drum Magazine to load properly.

**Single-Fire Mode:**

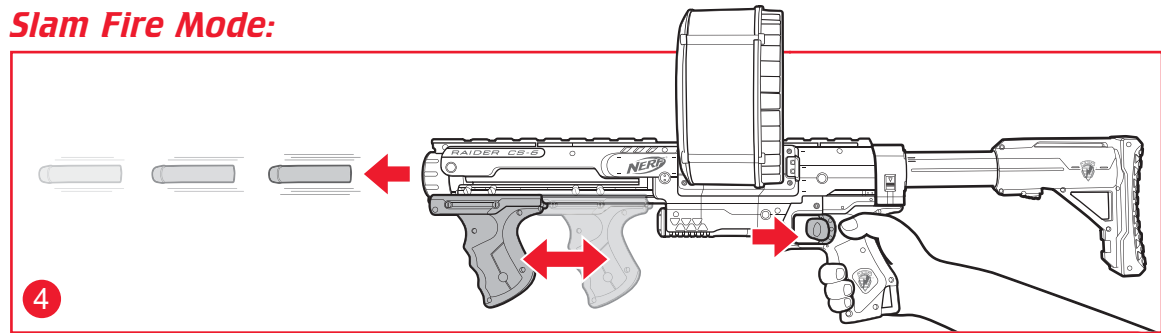


Slide Slam Fire Handle back and forward once to load dart.



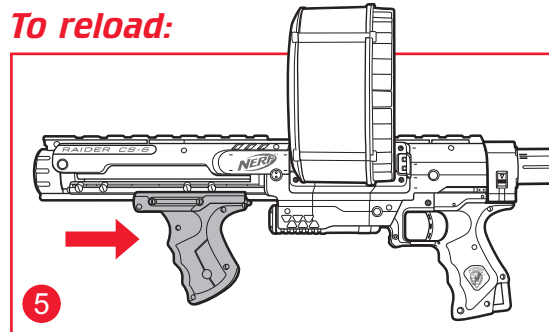
Pull trigger to fire.

**Slam Fire Mode:**

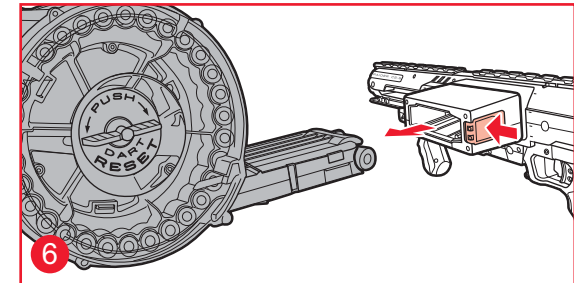


Hold trigger down, and rapidly slide Slam Fire Handle back and forward repeatedly. **Be sure to slide handle all the way back and all the way forward to prevent damaging darts.**

**To reload:**



Slide handle all the way back before removing Drum Magazine.



Press Clip Release Button.

**NOTE:** Do not store this blaster cocked and ready to fire.